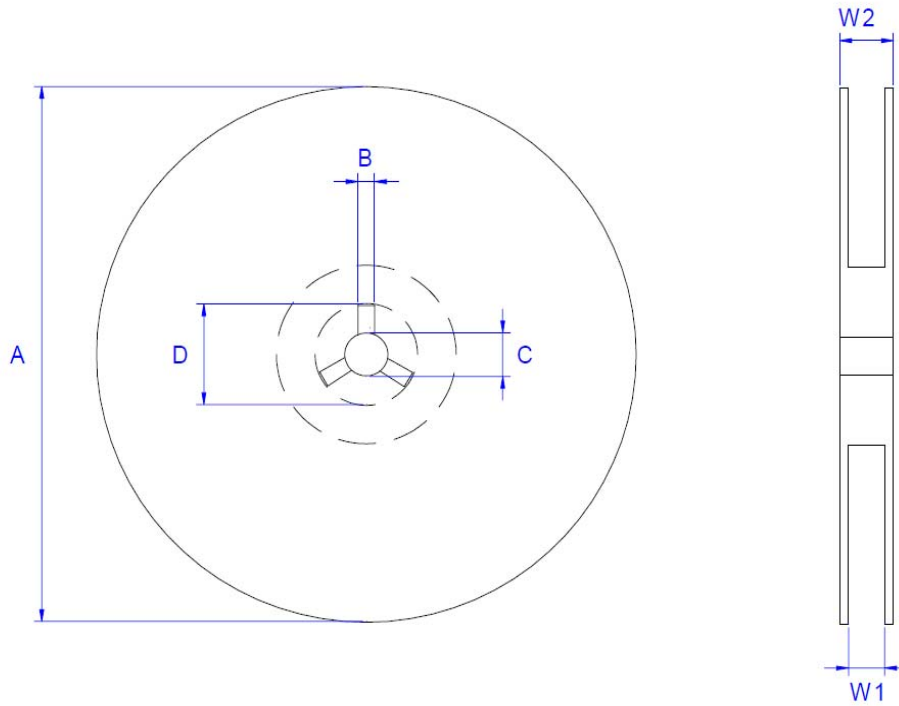


Tape and Reel Ordering Specification

GS Package Code	Package Type	Quantity Reel	Reel Diameter
W(Z) / L / R	SOT-23/25/26	3,000PCS	7"
Y/E	SOT-89-3L/5L	1,000PCS	7"
X	SOT-223	2,500PCS	13"
D	TO-252-2L/5L	2,500PCS	13"
M	TO-263-2L/5L	800PCS	13"
S	SOIC-8	2,500PCS	13"
	SOIC-14	2,500PCS	13"
	SOIC-16	2,500PCS	13"
	SOIC-20	1,500PCS	13"
SS	SSOP-20	2,000PCS	13"
TSS	TSSOP-20	2,000PCS	13"
TS	TSOP-6	3,000PCS	7"
MS	MSOP-10L	3,000PCS	13"
DN	DFN-10	3,000PCS	7"
X6	SOT-363	3,000PCS	7"
X7	SOD-523	3,000PCS	7"
A	SOD-723	3,000PCS	7"
C	SOD-923	3,000PCS	7"



Tape Size	A		B min	C	D min	W1		W2	
12mm	330	+0.25	1.5 (0,059)	13.0±0.20 (0.512 ±0.008)	20.2 (0.795)	12.4	+2.0	18.4 (0.724)	
		-4.0					-0.0		
	(12.992)	+0.010				(0.488)+0.078	-0.0		
16mm	330	+0.25	1.5 (0,059)	13.0±0.20 (0.512 ±0.008)	20.2 (0.795)	16.4	+2.0	22.4 (0.882)	
		-4.0					-0.0		
	(12.992)	+0.010				(0.646)+0.078	-0.0		
24mm	330	+0.25	1.5 (0,059)	13.0±0.20 (0.512 ±0.008)	20.2 (0.795)	24.4	+2.0	30.4 (1.197)	
		-4.0					-0.0		
	(12.992)	+0.010				(0.961)+0.078	-0.0		

