



GS2231/2251 Promotion

Objective

- Benefits for Customers
- Portfolio
- Potential business
- Sample Application Circuit
- Outline & Packaging

Dual Input LDO Voltage Regulator

- Benefits for Customers -

Designers

- Adjustable output voltages to 0.8V
- 450mV typical dropout at 5A
- Ideal for 1.8V to 1.2V conversion
- 5A minimum guaranteed output current
- 1.5% initial accuracy
- Low ground current
- Current limiting and thermal shutdown
- Ultra Fast transient response
- RoHS Compliant, 100%Pb & Halogen Free

Advantage

- Cost saving, Quality, Good performance.



CMOS

		Globaltech	RT / UPI /Apec/ Anpec
Design		★★★★★	★★★★★
Foundry	Process	★★★★★	★★★★★
	Quality	★★★★★	★★★★★
	Cost	★★★★★	★★★★★
Assembly	Quality	★★★★★	★★★★★
	Cost	★★★★★	★★★★★
Summary		✓✓	✓

Portfolio

CMOS LDO Serials

GS2221 (N-MOS LDO/UP7704/RT9025)

GS2231 (UP7706/RT9018)

GS2251 (GS2250 Planning do APL5912 pin out)

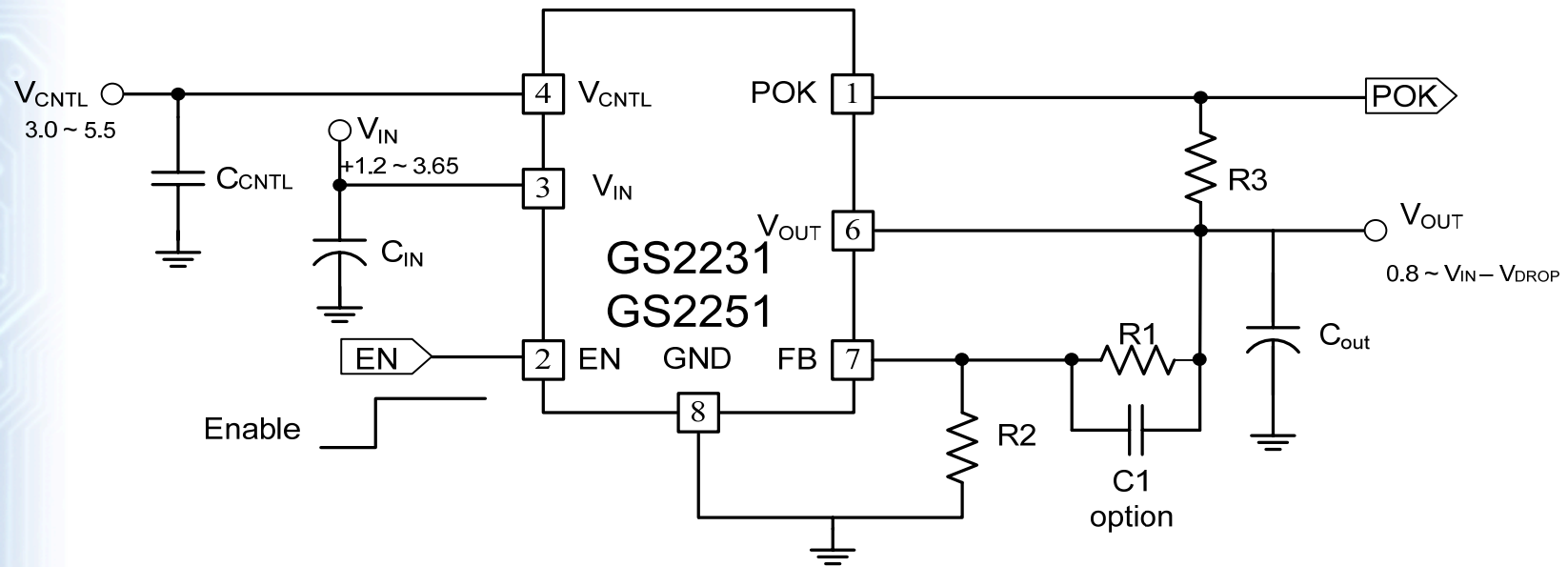
	Supply Voltage	Iout (A)	Output Voltage	supply current	Dropout Voltage	PSRR @1KHz	Enable	Soft Start	Power Good	Package Type	Vout (V)
GS2221	3.0~5.5	2	Adj (Vref=0.8V)	50uA	300mV	50dB	V	V	V	PSOP8	0.8~VIN-VDROP
GS2231	3.0~5.5	3	Adj (Vref=0.8V)	50uA	300mV	50dB	V	V	V	PSOP8	0.8~VIN-VDROP
GS2251	3.0~5.5	5	Adj (Vref=0.8V)	50uA	300mV	50dB	V	V	V	PSOP8	0.8~VIN-VDROP



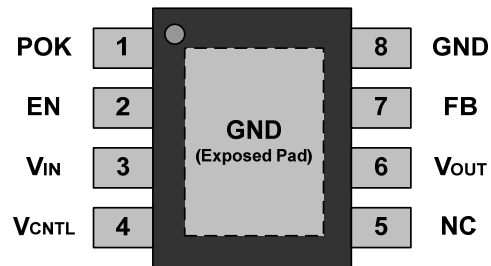
Potential business (Applications)

- PC (MB, NB, Net Book)
- LCD TV/Monitor
- DDR BUS VTT High-efficiency linear power supplies
- SMPS post regulator
- Multimedia and PC processor supplies
- Battery chargers
- Low –Voltage Micro-Controllers and digital logic
- Front Side Bus VTT (1.2V/5A)

Sample Application Circuit



Outline & Packaging (PSOP8)



Pin No	Pin	Pin Function
1	POK	Power Good Open Drain Output
2	EN	Chip Enable (Active High).
3	V_{IN}	Supply Voltage for major power
4	V_{CNTL}	Supply Voltage for Control Circuit.
5	NC	No Connect.
6	V_{OUT}	Output Voltage
7	FB	Feedback Voltage.
8	GND	Ground

